


# OUTDOOR LIGHTING



A photograph of a modern building at night, showcasing ACUMEN outdoor lighting. The building features a prominent entrance with a large, dark, arched doorway. The facade is composed of light-colored, textured panels. Several rectangular recessed lighting fixtures are visible on the upper levels of the building. The ground in front of the entrance is paved with large, light-colored tiles, and there are some potted plants in the foreground. The overall scene is dimly lit, with the building's lights providing the primary illumination.

**ACUMEN Outdoor lighting** These set of products brighten up and bring life to outdoor spaces of residential and commercial buildings with simple, and elegant modern outdoor lighting fixtures that are designed to illuminate and inspire. It enhances the beauty of any property while providing safety and security.

There are different types, shapes, and styles available, which can match with and add value to architecture and landscapes. Additionally, we offer the opportunity to adjust or select colour temperatures flexibly for various applications. Weather-proof materials will protect the products and maintain their efficient work.

The best lighting solutions conserve less energy, but LED light sources can provide very high luminance levels which may cause glare. For this reason, ACUMEN LED fixtures are commonly equipped with anti-glare accessories to reduce this unpleasant visual effect.

# UP LIGHT

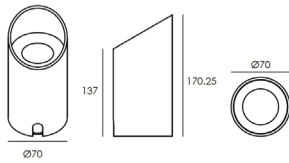


The Up light Series for outdoor in-ground installation represent essential fixtures for lighting architectural elements or trees. Different wattage and shape types make the selection of an applicable product easier. Available with special components that provide visual comfort.

# Up Light

Surface Mounted

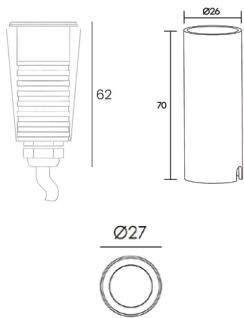
## ACU OSM 182015



<b>Wattage</b>	<b>Beam Angle</b>
1x5W	18° 23° 24°
<b>Color Temperature</b>	<b>Lumen Output</b>
3000k	≈460 Lm
<b>Installation</b>	<b>Rated Life Hours</b>
Surface Mounted	30,000 - 50,000H
<b>CRI</b>	<b>Colors</b>
≥90	■ Black
<b>Input Voltage</b>	<b>Materials</b>
220V AC (with the Attached Built in Driver)	Powder Coated Aluminum

Recessed Inground

## ACU OU 182001M

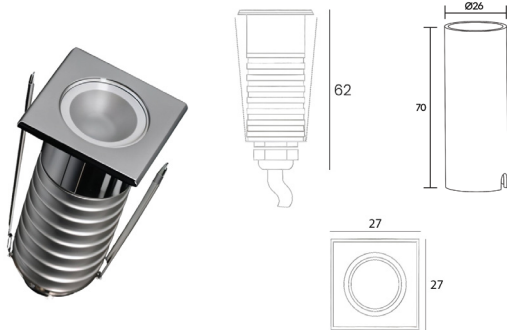


<b>Wattage</b>	<b>Beam Angle</b>
1x0.5W	70°
<b>Color Temperature</b>	<b>Lumen Output</b>
3000k	≈23 Lm
<b>Installation</b>	<b>Rated Life Hours</b>
Recessed Inground	30,000 - 50,000H
<b>CRI</b>	<b>Colors</b>
≥90	■ Chrome Finish
<b>Input Voltage</b>	<b>Materials</b>
24V DC (External Driver)	Stainless Steel Cover with Powder, Coated Aluminum Housing.

# Up Light

Recessed Inground

## ACU OU 182001MS



Wattage	Beam Angle
---------	------------

1x0.5W	70°
--------	-----

Color Temperature	Lumen Output
-------------------	--------------

3000k	≈23 Lm
-------	--------

Installation	Rated Life Hours
--------------	------------------

Recessed Inground	30,000 - 50,000H
-------------------	------------------

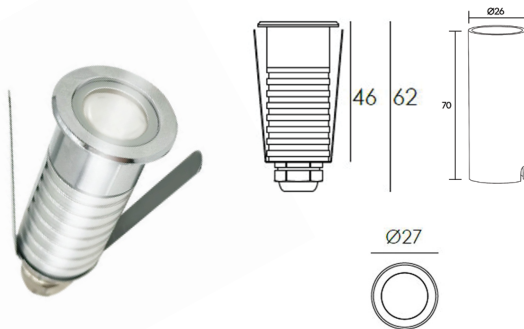
CRI	Colors
-----	--------

≥90	■ Chrome Finish
-----	-----------------

Input Voltage	Materials
---------------	-----------

24V DC (External Driver)	Stainless Steel Cover with Powder, Coated Aluminum Housing.
-----------------------------	---

## ACU OU 182001H



Wattage	Beam Angle
---------	------------

1x0.5W	70°
--------	-----

Color Temperature	Lumen Output
-------------------	--------------

3000k	≈23 Lm
-------	--------

Installation	Rated Life Hours
--------------	------------------

Recessed Inground	30,000 - 50,000H
-------------------	------------------

CRI	Colors
-----	--------

≥90	■ Chrome Finish
-----	-----------------

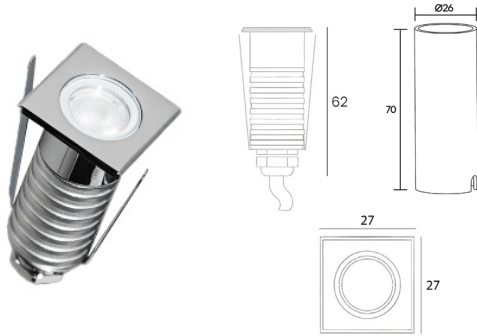
Input Voltage	Materials
---------------	-----------

24V DC 3V DC	Stainless Steel Cover with Powder, Coated Aluminum Housing.
-----------------	---

# Up Light

Recessed Inground

## ACU OU 182001SH



Wattage	Beam Angle
---------	------------

1x1.5W	10° 15° 20° 30°
--------	-----------------

Color Temperature	Lumen Output
-------------------	--------------

3000k	≈136 Lm
-------	---------

Installation	Rated Life Hours
--------------	------------------

Recessed Inground	30,000 - 50,000H
-------------------	------------------

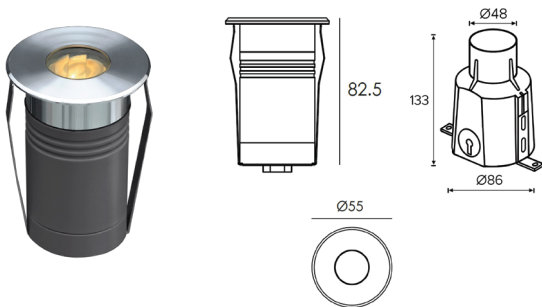
CRI	Colors
-----	--------

≥90	■ Chrome Finish
-----	-----------------

Input Voltage	Materials
---------------	-----------

24V DC (External Driver)	Stainless Steel Cover with Powder, Coated Aluminum Housing.
-----------------------------	---

## ACU OU 182002A



Wattage	Beam Angle
---------	------------

1x2W	35° / 45° Asymmetrical
------	------------------------

Color Temperature	Lumen Output
-------------------	--------------

3000k	≈130 Lm
-------	---------

Installation	Rated Life Hours
--------------	------------------

Recessed Inground	30,000 - 50,000H
-------------------	------------------

CRI	Colors
-----	--------

≥90	■ Chrome Finish
-----	-----------------

Input Voltage	Materials
---------------	-----------

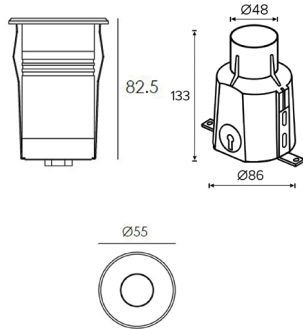
220V AC (with the Attached Built in Driver)	Stainless Steel Cover with Powder, Coated Aluminum Housing.
--	---



# Up Light

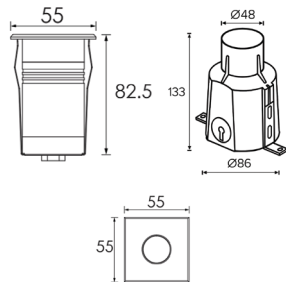
Recessed Inground

## ACU OU 182002H



<b>Wattage</b>	<b>Beam Angle</b>
1x2W	15° 20° 30° 45°
<b>Color Temperature</b>	<b>Lumen Output</b>
3000k	≈143 Lm
<b>Installation</b>	<b>Rated Life Hours</b>
Recessed Inground	30,000 - 50,000H
<b>CRI</b>	<b>Colors</b>
≥90	■ Chrome Finish
<b>Input Voltage</b>	<b>Materials</b>
220V AC (with the Attached Built in Driver)	Stainless Steel Cover with Powder, Coated Aluminum Housing.

## ACU OU 182002SH

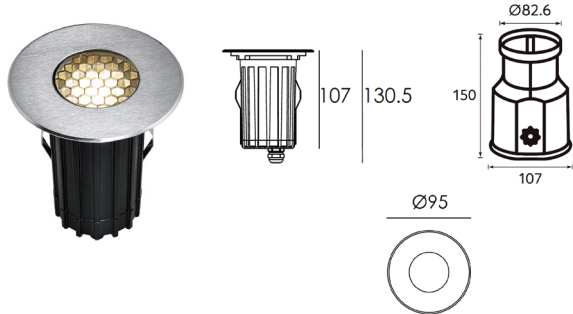


<b>Wattage</b>	<b>Beam Angle</b>
1x2W	9° 15° 20° 30° 45°
<b>Color Temperature</b>	<b>Lumen Output</b>
3000k	≈143 Lm
<b>Installation</b>	<b>Rated Life Hours</b>
Recessed Inground	30,000 - 50,000H
<b>CRI</b>	<b>Colors</b>
≥90	■ Chrome Finish
<b>Input Voltage</b>	<b>Materials</b>
220V AC (with the Attached Built in Driver)	Stainless Steel Cover with Powder, Coated Aluminum Housing.

# Up Light

Recessed Inground

## ACU OU 182003MH



Wattage	Beam Angle
---------	------------

1x4W	9° 15° 20° 30° 45°
------	--------------------

Color Temperature	Lumen Output
-------------------	--------------

3000k	≈441 Lm
-------	---------

Installation	Rated Life Hours
--------------	------------------

Recessed Inground	30,000 - 50,000H
-------------------	------------------

CRI	Colors
-----	--------

≥90	■ Chrome Finish
-----	-----------------

Input Voltage	Materials
---------------	-----------

220V AC (with the Attached Built in Driver)	Stainless Steel Cover with Powder, Coated Aluminum Housing.
--	---

## ACU OU 182003MSH



Wattage	Beam Angle
---------	------------

1x4W	9° 15° 20° 30° 45°
------	--------------------

Color Temperature	Lumen Output
-------------------	--------------

3000k	≈441 Lm
-------	---------

Installation	Rated Life Hours
--------------	------------------

Recessed Inground	30,000 - 50,000H
-------------------	------------------

CRI	Colors
-----	--------

≥90	■ Chrome Finish
-----	-----------------

Input Voltage	Materials
---------------	-----------

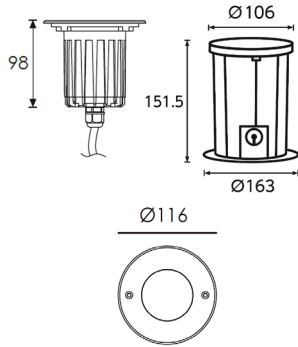
220V AC (with the Attached Built in Driver)	Stainless Steel Cover with Powder, Coated Aluminum Housing.
--	---



# Up Light

Recessed Inground

## ACU OU 182003H



Wattage	Beam Angle
---------	------------

8W	10° 15° 20° 30° 45°
----	---------------------

Color Temperature	Lumen Output
-------------------	--------------

3000k	≈744 Lm
-------	---------

Installation	Rated Life Hours
--------------	------------------

Recessed Inground	30,000 - 50,000H
-------------------	------------------

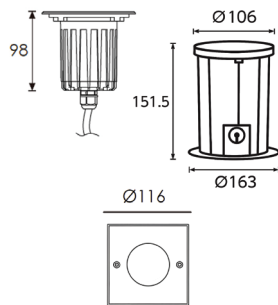
CRI	Colors
-----	--------

≥90	■ Chrome Finish
-----	-----------------

Input Voltage	Materials
---------------	-----------

220V AC (with the Attached Built in Driver)	Stainless Steel Cover with Powder, Coated Aluminum Housing.
--	---

## ACU OU 182003SH



Wattage	Beam Angle
---------	------------

8W	10° 15° 20° 30° 45°
----	---------------------

Color Temperature	Lumen Output
-------------------	--------------

3000k	≈744 Lm
-------	---------

Installation	Rated Life Hours
--------------	------------------

Recessed Inground	30,000 - 50,000H
-------------------	------------------

CRI	Colors
-----	--------

≥90	■ Chrome Finish
-----	-----------------

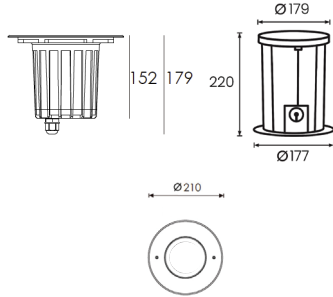
Input Voltage	Materials
---------------	-----------

220V AC (with the Attached Built in Driver)	Stainless Steel Cover with Powder, Coated Aluminum Housing.
--	---

# Up Light

Recessed Inground

## ACU OU 182004H



Wattage	Beam Angle
---------	------------

18W	10° 15° 20° 30°
-----	-----------------

Color Temperature	Lumen Output
-------------------	--------------

3000k	≈1760 Lm
-------	----------

Installation	Rated Life Hours
--------------	------------------

Recessed Inground	30,000 - 50,000H
-------------------	------------------

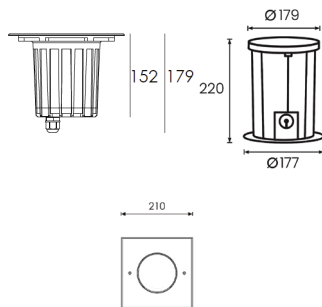
CRI	Colors
-----	--------

≥90	■ Chrome Finish
-----	-----------------

Input Voltage	Materials
---------------	-----------

220V AC (with the Attached Built in Driver)	Stainless Steel Cover with Powder, Coated Aluminum Housing.
--	---

## ACU OU 182004SH



Wattage	Beam Angle
---------	------------

18W	10° 15° 20° 30°
-----	-----------------

Color Temperature	Lumen Output
-------------------	--------------

3000k	≈1760 Lm
-------	----------

Installation	Rated Life Hours
--------------	------------------

Recessed Inground	30,000 - 50,000H
-------------------	------------------

CRI	Colors
-----	--------

≥90	■ Chrome Finish
-----	-----------------

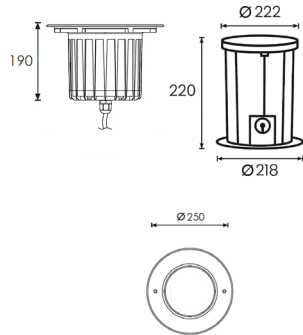
Input Voltage	Materials
---------------	-----------

220V AC (with the Attached Built in Driver)	Stainless Steel Cover with Powder, Coated Aluminum Housing.
--	---

# Up Light

Recessed Inground

## ACU OU 182005H



Wattage	Beam Angle
---------	------------

25W	10° 15° 20° 30°
-----	-----------------

Color Temperature	Lumen Output
-------------------	--------------

3000k	≈3000 Lm
-------	----------

Installation	Rated Life Hours
--------------	------------------

Recessed Inground	30,000 - 50,000H
-------------------	------------------

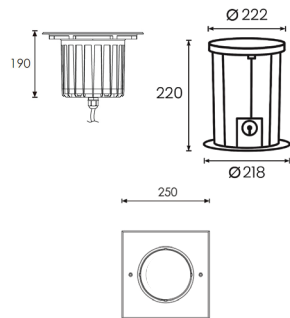
CRI	Colors
-----	--------

≥90	■ Chrome Finish
-----	-----------------

Input Voltage	Materials
---------------	-----------

220V AC (with the Attached Built in Driver)	Stainless Steel Cover with Powder, Coated Aluminum Housing.
--	---

## ACU OU 182005SH



Wattage	Beam Angle
---------	------------

25W	10° 15° 20° 30°
-----	-----------------

Color Temperature	Lumen Output
-------------------	--------------

3000k	≈3000 Lm
-------	----------

Installation	Rated Life Hours
--------------	------------------

Recessed Inground	30,000 - 50,000H
-------------------	------------------

CRI	Colors
-----	--------

≥90	■ Chrome Finish
-----	-----------------

Input Voltage	Materials
---------------	-----------

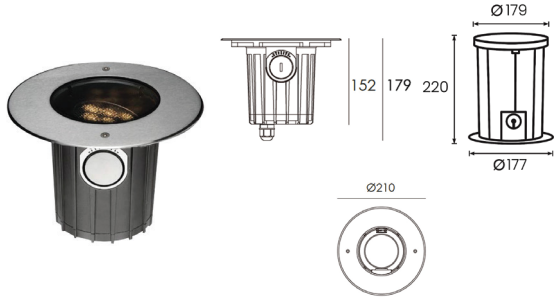
220V AC (with the Attached Built in Driver)	Stainless Steel Cover with Powder, Coated Aluminum Housing.
--	---



# Up Light

Recessed Inground / Adjustable

## ACU OU 182006H



Wattage	Beam Angle
---------	------------

9x1.2W	10° 15° 20° 30° 50°
--------	---------------------

Color Temperature	Lumen Output
-------------------	--------------

3000k	≈756 Lm
-------	---------

Installation	Rated Life Hours
--------------	------------------

Recessed Inground	30,000 - 50,000H
-------------------	------------------

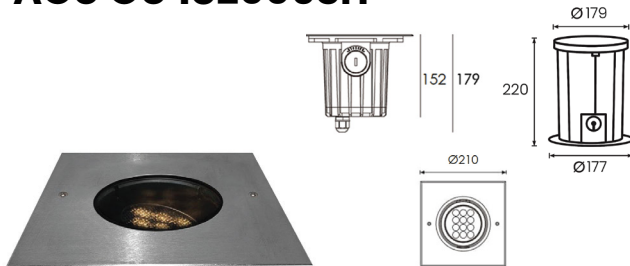
CRI	Colors
-----	--------

≥90	■ Chrome Finish
-----	-----------------

Input Voltage	Materials
---------------	-----------

220V AC (with the Attached Built in Driver)	Stainless Steel Cover with Powder, Coated Aluminum Housing.
--	---

## ACU OU 182006SH



Wattage	Beam Angle
---------	------------

9x1.2W	15° 20° 30° 50°
--------	-----------------

Color Temperature	Lumen Output
-------------------	--------------

3000k	≈756 Lm
-------	---------

Installation	Rated Life Hours
--------------	------------------

Recessed Inground	30,000 - 50,000H
-------------------	------------------

CRI	Colors
-----	--------

≥90	■ Chrome Finish
-----	-----------------

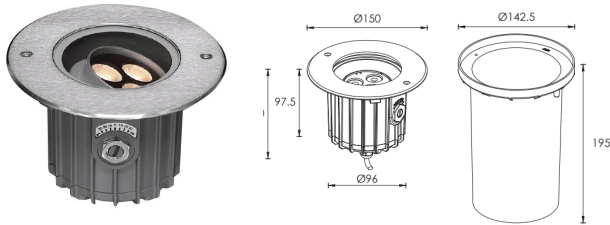
Input Voltage	Materials
---------------	-----------

220V AC (with the Attached Built in Driver)	Stainless Steel Cover with Powder, Coated Aluminum Housing.
--	---

# Up Light

Recessed Inground / Adjustable

## ACU OU 182007H



Wattage	Beam Angle
---------	------------

3x2W	9° 15° 20° 30° 45°
------	--------------------

Color Temperature	Lumen Output
-------------------	--------------

3000k	282 Lm
-------	--------

Installation	Rated Life Hours
--------------	------------------

Recessed Inground	30,000 - 50,000H
-------------------	------------------

CRI	Colors
-----	--------

≥90	■ Chrome Finish
-----	-----------------

Input Voltage	Materials
---------------	-----------

220V AC (with the Attached Built in Driver)	Stainless Steel Cover with Powder, Coated Aluminum Housing.
--	---

# Up Light

Wooden Up Light

## ACU OU 182009H



Wattage	Beam Angle
---------	------------

1x2W	9° 20°
------	--------

Color Temperature	Lumen Output
-------------------	--------------

3000k	140 Lm
-------	--------

Installation	Rated Life Hours
--------------	------------------

Recessed Inground	30,000 - 50,000H
-------------------	------------------

CRI	Colors
-----	--------

≥90	■ Chrome Finish
-----	-----------------

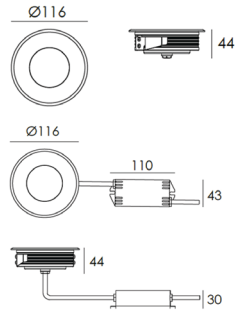
Input Voltage	Materials
---------------	-----------

24V DC 220V AC	Stainless Steel Cover with Powder, Coated Aluminum Housing.
-------------------	---

# Up Light

Wooden Up Light

## ACU OU 182010

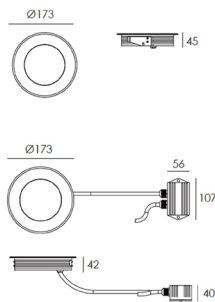


<b>Wattage</b>	<b>Beam Angle</b>
3x2W	9° 15° 20° 30° 45°
<b>Color Temperature</b>	<b>Lumen Output</b>
3000k	388 Lm
<b>Installation</b>	<b>Rated Life Hours</b>
Recessed Inground	30,000 - 50,000H
<b>CRI</b>	<b>Colors</b>
≥90	■ Chrome Finish
<b>Input Voltage</b>	<b>Materials</b>
24V DC 220V AC	Stainless Steel Cover with Powder, Coated Aluminum Housing.

# Up Light

Wooden Up Light

## ACU OU 182011H

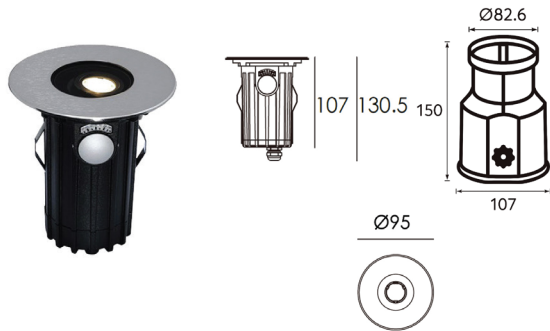


<b>Wattage</b>	<b>Beam Angle</b>
6x2W	15° 30°
<b>Color Temperature</b>	<b>Lumen Output</b>
3000k	977 Lm
<b>Installation</b>	<b>Rated Life Hours</b>
Recessed Inground	30,000 - 50,000H
<b>CRI</b>	<b>Colors</b>
≥90	■ Chrome Finish
<b>Input Voltage</b>	<b>Materials</b>
24V DC 220V AC	Stainless Steel Cover with Powder, Coated Aluminum Housing.

## Up Light

Recessed Inground / Adjustable

### ACU OU 183003A

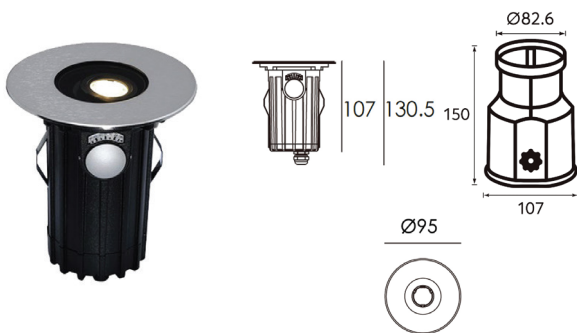


<b>Wattage</b>	<b>Beam Angle</b>
1x2W	15° / 32° Asymmetrical
<b>Color Temperature</b>	<b>Lumen Output</b>
3000k	≈112 Lm
<b>Installation</b>	<b>Rated Life Hours</b>
Recessed Inground	30,000 - 50,000H
<b>CRI</b>	<b>Colors</b>
≥90	■ Chrome Finish
<b>Input Voltage</b>	<b>Materials</b>
220V AC (with the Attached Built in Driver)	Stainless Steel Cover with Powder, Coated Aluminum Housing.

## Up Light

Recessed Inground / Adjustable

### ACU OU 183003H

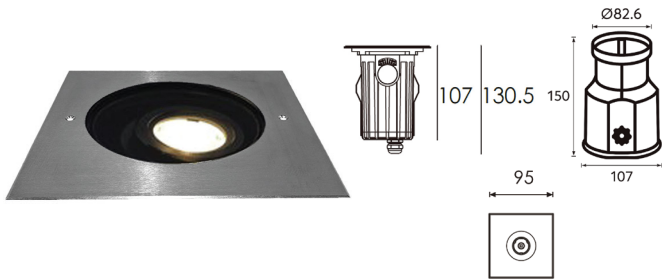


<b>Wattage</b>	<b>Beam Angle</b>
1x2W	13° 20° 25° 30°
<b>Color Temperature</b>	<b>Lumen Output</b>
3000k	≈112 Lm
<b>Installation</b>	<b>Rated Life Hours</b>
Recessed Inground	30,000 - 50,000H
<b>CRI</b>	<b>Colors</b>
≥90	■ Chrome Finish
<b>Input Voltage</b>	<b>Materials</b>
220V AC (with the Attached Built in Driver)	Stainless Steel Cover with Powder, Coated Aluminum Housing.

## Up Light

Recessed Inground

### ACU OU 183003SH



#### Wattage

1x2W

#### Beam Angle

13° 25° 30°

#### Color Temperature

3000k

#### Lumen Output

≈112 Lm

#### Installation

Recessed Inground

#### Rated Life Hours

30,000 - 50,000H

#### CRI

≥90

#### Colors

■ Chrome Finish

#### Input Voltage

220V AC  
(with the Attached Built in Driver)

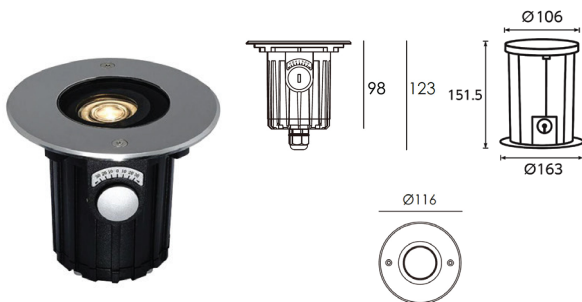
#### Materials

Stainless Steel Cover  
with Powder, Coated  
Aluminum Housing.

## Up Light

Adjustable

### ACU OU 183004H



#### Wattage

2x1.5W

#### Beam Angle

9° 15° 20° 30°

#### Color Temperature

3000k

#### Lumen Output

≈300 Lm

#### Installation

Recessed Inground

#### Rated Life Hours

30,000 - 50,000H

#### CRI

≥90

#### Colors

■ Chrome Finish

#### Input Voltage

220V AC  
(with the Attached Built in Driver)

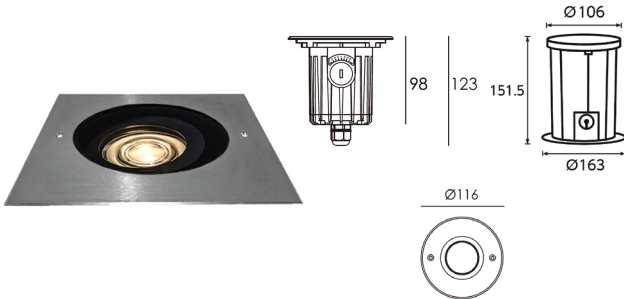
#### Materials

Stainless Steel Cover  
with Powder, Coated  
Aluminum Housing.

# Up Light

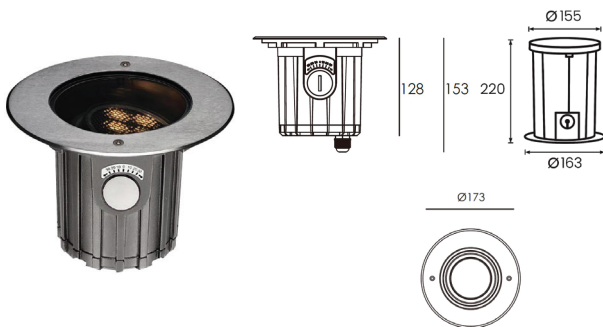
Adjustable

## ACU OU 183004SH



<b>Wattage</b>	<b>Beam Angle</b>
2x1.5W	9° 15° 20° 30°
<b>Color Temperature</b>	<b>Lumen Output</b>
3000k	≈300 Lm
<b>Installation</b>	<b>Rated Life Hours</b>
Recessed Inground	30,000 - 50,000H
<b>CRI</b>	<b>Colors</b>
≥90	■ Chrome Finish
<b>Input Voltage</b>	<b>Materials</b>
220V AC (with the Attached Built in Driver)	Stainless Steel Cover with Powder, Coated Aluminum Housing.

## ACU OU 183005H

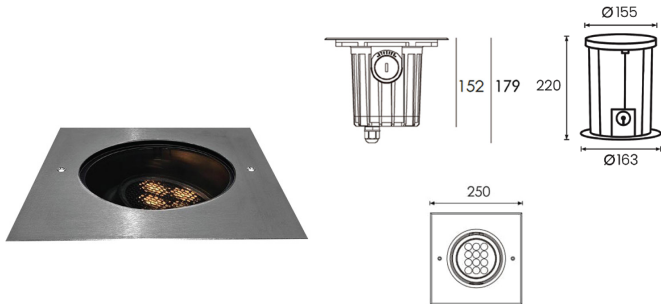


<b>Wattage</b>	<b>Beam Angle</b>
6x1.2W	15° 20° 30° 50°
<b>Color Temperature</b>	<b>Lumen Output</b>
3000k	≈570 Lm
<b>Installation</b>	<b>Rated Life Hours</b>
Recessed Inground	30,000 - 50,000H
<b>CRI</b>	<b>Colors</b>
≥90	■ Chrome Finish
<b>Input Voltage</b>	<b>Materials</b>
220V AC (with the Attached Built in Driver)	Stainless Steel Cover with Powder, Coated Aluminum Housing.

# Up Light

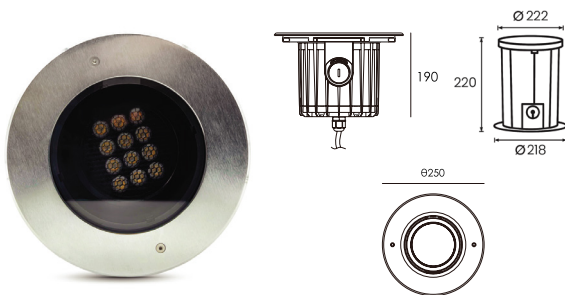
Adjustable

## ACU OU 183005SH



<b>Wattage</b>	<b>Beam Angle</b>
6x1.2W	15° 20° 30° 50°
<b>Color Temperature</b>	<b>Lumen Output</b>
3000k	≈570 Lm
<b>Installation</b>	<b>Rated Life Hours</b>
Recessed Inground	30,000 - 50,000H
<b>CRI</b>	<b>Colors</b>
≥90	■ Chrome Finish
<b>Input Voltage</b>	<b>Materials</b>
220V AC (with the Attached Built in Driver)	Stainless Steel Cover with Powder, Coated Aluminum Housing.

## ACU OU 183007H



<b>Wattage</b>	<b>Beam Angle</b>
12x1.5W	13° 25° 30°
<b>Color Temperature</b>	<b>Lumen Output</b>
3000k	≈1389 Lm
<b>Installation</b>	<b>Rated Life Hours</b>
Recessed Inground	30,000 - 50,000H
<b>CRI</b>	<b>Colors</b>
≥90	■ Chrome Finish
<b>Input Voltage</b>	<b>Materials</b>
220V AC (with the Attached Built in Driver)	Stainless Steel Cover with Powder, Coated Aluminum Housing.

# Up Light

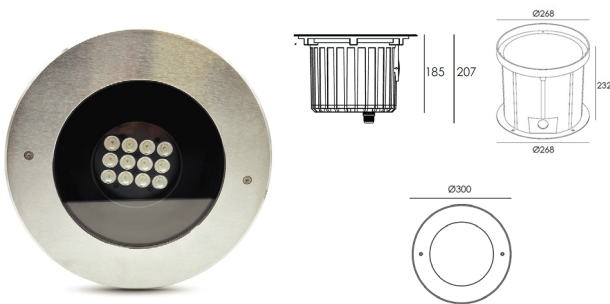
Adjustable

## ACU OU 183007SH



<b>Wattage</b>	<b>Beam Angle</b>
12x1.5W	13° 25° 30°
<b>Color Temperature</b>	<b>Lumen Output</b>
3000k	≈1389 Lm
<b>Installation</b>	<b>Rated Life Hours</b>
Recessed Inground	30,000 - 50,000H
<b>CRI</b>	<b>Colors</b>
≥90	■ Chrome Finish
<b>Input Voltage</b>	<b>Materials</b>
220V AC (with the Attached Built in Driver)	Stainless Steel Cover with Powder, Coated Aluminum Housing.

## ACU OU 183008H



<b>Wattage</b>	<b>Beam Angle</b>
12x1.5W	13° 25° 30°
<b>Color Temperature</b>	<b>Lumen Output</b>
3000k	≈2392 Lm
<b>Installation</b>	<b>Rated Life Hours</b>
Recessed Inground	30,000 - 50,000H
<b>CRI</b>	<b>Colors</b>
≥90	■ Chrome Finish
<b>Input Voltage</b>	<b>Materials</b>
220V AC (with the Attached Built in Driver)	Stainless Steel Cover with Powder, Coated Aluminum Housing.





# OUTDOOR LINEAR

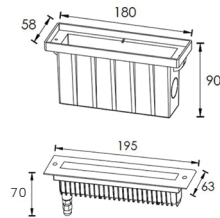
The Outdoor Linear Series with in-ground and surface mounted installation represent essential fixtures for lighting architectural elements or wall texture. Different wattage and shape types make the selection of an applicable product easier.

Available with special components that provide visual comfort.

# Outdoor Linear

Outdoor Recessed Inground Linear

## ACU OL 182020H



Wattage	Beam Angle
---------	------------

8x0.6W	8° 13° 25° 30°
--------	----------------

Color Temperature	Lumen Output
-------------------	--------------

3000k	≈405 Lm
-------	---------

Installation	Rated Life Hours
--------------	------------------

Recessed Inground	30,000 - 50,000H
-------------------	------------------

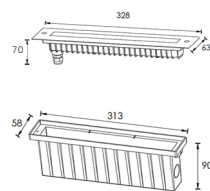
CRI	Colors
-----	--------

≥90	■ Chrome Finish
-----	-----------------

Input Voltage	Materials
---------------	-----------

220V AC (with the Attached Built in Driver)	Stainless Steel Cover with Powder, Coated Aluminum Housing.
--	---

## ACU OL 182021H



Wattage	Beam Angle
---------	------------

16x2W	8° 13° 25° 30°
-------	----------------

Color Temperature	Lumen Output
-------------------	--------------

3000k	≈838 Lm
-------	---------

Installation	Rated Life Hours
--------------	------------------

Recessed Inground	30,000 - 50,000H
-------------------	------------------

CRI	Colors
-----	--------

≥90	■ Chrome Finish
-----	-----------------

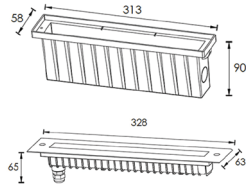
Input Voltage	Materials
---------------	-----------

220V AC (with the Attached Built in Driver)	Stainless Steel Cover with Powder, Coated Aluminum Housing.
--	---

# Outdoor Linear

Outdoor Recessed Inground Linear

## ACU OL 182021A



### Wattage

6x2W

### Beam Angle

Asymmetrical 45° x 35°

### Color Temperature

3000k

### Lumen Output

≈570 Lm

### Installation

Recessed Inground

### Rated Life Hours

30,000 - 50,000H

### CRI

≥90

### Colors

■ Chrome Finish

### Input Voltage

220V AC  
(with the Attached Built in Driver)

### Materials

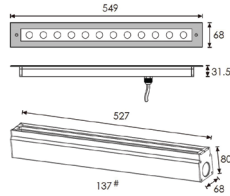
Stainless Steel Cover  
with Powder, Coated  
Aluminum Housing.



# Outdoor Linear

Outdoor Recessed Inground Linear

## ACU OL 182022H



Wattage	Beam Angle
---------	------------

12x1.5W	8° 20° 25° 30° 35° 45°
---------	------------------------

Color Temperature	Lumen Output
-------------------	--------------

3000k	≈1020 Lm
-------	----------

Installation	Rated Life Hours
--------------	------------------

Recessed Inground	30,000 - 50,000H
-------------------	------------------

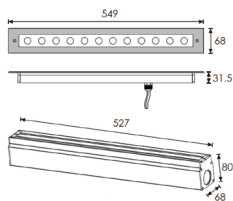
CRI	Colors
-----	--------

≥90	■ Chrome Finish
-----	-----------------

Input Voltage	Materials
---------------	-----------

220V AC (with the Attached Built in Driver)	Stainless Steel Cover with Powder, Coated Aluminum Housing.
--	---

## ACU OL 182022A



Wattage	Beam Angle
---------	------------

12x1.5W	Asymmetrical 45° x 35°
---------	------------------------

Color Temperature	Lumen Output
-------------------	--------------

3000k	≈1020 Lm
-------	----------

Installation	Rated Life Hours
--------------	------------------

Recessed Inground	30,000 - 50,000H
-------------------	------------------

CRI	Colors
-----	--------

≥90	■ Chrome Finish
-----	-----------------

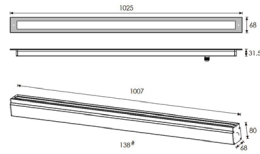
Input Voltage	Materials
---------------	-----------

220V AC (with the Attached Built in Driver)	Stainless Steel Cover with Powder, Coated Aluminum Housing.
--	---

# Outdoor Linear

Outdoor Recessed Inground Linear

## ACU OL 182023H



Wattage	Beam Angle
---------	------------

24x1.5W	20° 25° 30° 35° 45°
---------	---------------------

Color Temperature	Lumen Output
-------------------	--------------

3000k	≈2055 Lm
-------	----------

Installation	Rated Life Hours
--------------	------------------

Recessed Inground	30,000 - 50,000H
-------------------	------------------

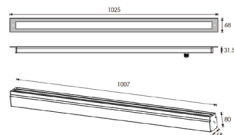
CRI	Colors
-----	--------

≥90	■ Chrome Finish
-----	-----------------

Input Voltage	Materials
---------------	-----------

220V AC (with the Attached Built in Driver)	Stainless Steel Cover with Powder, Coated Aluminum Housing.
--	---

## ACU OL 182023A



Wattage	Beam Angle
---------	------------

24x1.5W	Asymmetrical 45° x 35°
---------	------------------------

Color Temperature	Lumen Output
-------------------	--------------

3000k	≈2114 Lm
-------	----------

Installation	Rated Life Hours
--------------	------------------

Recessed Inground	30,000 - 50,000H
-------------------	------------------

CRI	Colors
-----	--------

≥90	■ Chrome Finish
-----	-----------------

Input Voltage	Materials
---------------	-----------

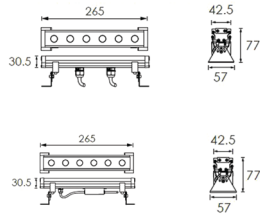
220V AC (with the Attached Built in Driver)	Stainless Steel Cover with Powder, Coated Aluminum Housing.
--	---



# Outdoor Linear

Outdoor Surface Mounted Linear

## ACU OL 182024



Wattage	Beam Angle
---------	------------

6x1W	15° 20° 30° 50°
------	-----------------

Color Temperature	Lumen Output
-------------------	--------------

3000k	≈512 Lm
-------	---------

Installation	Rated Life Hours
--------------	------------------

Surface Mounted	30,000 - 50,000H
-----------------	------------------

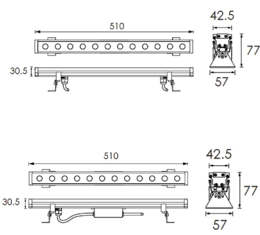
CRI	Colors
-----	--------

≥90	■ Chrome Finish
-----	-----------------

Input Voltage	Materials
---------------	-----------

220V AC (with the Attached Built in Driver)	Stainless Steel Cover with Powder, Coated Aluminum Housing.
--	---

## ACU OL 182025



Wattage	Beam Angle
---------	------------

12x1W	15° 20° 30° 50°
-------	-----------------

Color Temperature	Lumen Output
-------------------	--------------

3000k	≈864 Lm
-------	---------

Installation	Rated Life Hours
--------------	------------------

Surface Mounted	30,000 - 50,000H
-----------------	------------------

CRI	Colors
-----	--------

≥90	■ Chrome Finish
-----	-----------------

Input Voltage	Materials
---------------	-----------

220V AC (with the Attached Built in Driver)	Stainless Steel Cover with Powder, Coated Aluminum Housing.
--	---

# Outdoor Linear

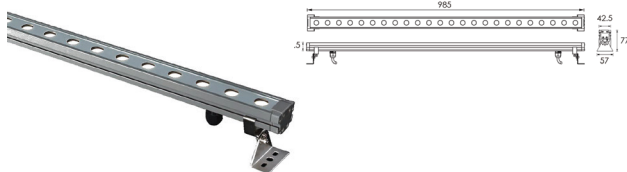
Outdoor Surface Mounted Linear

## ACU OL 182026



<b>Wattage</b>	<b>Beam Angle</b>
6x1W	15° 20° 30° 50°
<b>Color Temperature</b>	<b>Lumen Output</b>
3000k	≈1976 Lm
<b>Installation</b>	<b>Rated Life Hours</b>
Surface Mounted	30,000 - 50,000H
<b>CRI</b>	<b>Colors</b>
≥90	■ Chrome Finish
<b>Input Voltage</b>	<b>Materials</b>
220V AC (with the Attached Built in Driver)	Stainless Steel Cover with Powder, Coated Aluminum Housing.

## ACU OL 182031

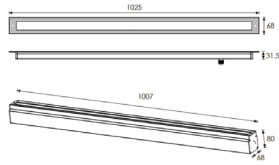


<b>Wattage</b>	<b>Beam Angle</b>
48W	30°
<b>Color Temperature</b>	<b>Lumen Output</b>
3000k	≈2139 Lm
<b>Installation</b>	<b>Rated Life Hours</b>
Surface Mounted	30,000 - 50,000H
<b>CRI</b>	<b>Colors</b>
≥90	■ Chrome Finish
<b>Input Voltage</b>	<b>Materials</b>
220V AC (with the Attached Built in Driver)	Stainless Steel Cover with Powder, Coated Aluminum Housing.

# Outdoor Linear

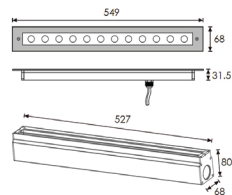
Outdoor Recessed Inground Linear

## ACU OL 182080H



<b>Wattage</b>	<b>Beam Angle</b>
18W	13° 20° 25° 30° 35°
<b>Color Temperature</b>	<b>Lumen Output</b>
3000k	≈1359 Lm
<b>Installation</b>	<b>Rated Life Hours</b>
Recessed Inground	30,000 - 50,000H
<b>CRI</b>	<b>Colors</b>
≥90	■ Chrome Finish
<b>Input Voltage</b>	<b>Materials</b>
220V AC (with the Attached Built in Driver)	Stainless Steel Cover with Powder, Coated Aluminum Housing.

## ACU OL 182081H

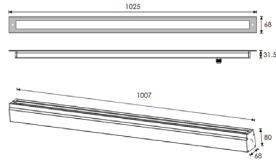


<b>Wattage</b>	<b>Beam Angle</b>
9W	20° 25° 30° 35°
<b>Color Temperature</b>	<b>Lumen Output</b>
3000k	≈650 Lm
<b>Installation</b>	<b>Rated Life Hours</b>
Recessed Inground	30,000 - 50,000H
<b>CRI</b>	<b>Colors</b>
≥90	■ Chrome Finish
<b>Input Voltage</b>	<b>Materials</b>
220V AC (with the Attached Built in Driver)	Stainless Steel Cover with Powder, Coated Aluminum Housing.

# Outdoor Linear

Outdoor Recessed Inground Linear

## ACU OL 182082H



<b>Wattage</b>	<b>Beam Angle</b>
9W	13° 20°
<b>Color Temperature</b>	<b>Lumen Output</b>
3000k	≈650 Lm
<b>Installation</b>	<b>Rated Life Hours</b>
Recessed Inground	30,000 - 50,000H
<b>CRI</b>	<b>Colors</b>
≥90	■ Chrome Finish
<b>Input Voltage</b>	<b>Materials</b>
220V AC (with the Attached Built in Driver)	Stainless Steel Cover with Powder, Coated Aluminum Housing.



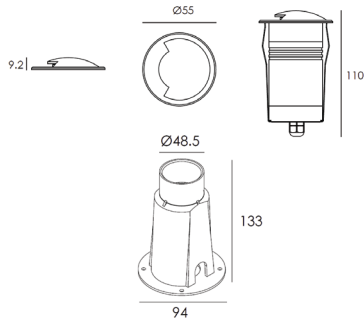
# DRIVE OVER

Designed for outdoor pathways, this guide light combines sleek functionality with an IK10 rating, ensuring reliable performance in high-traffic environments.

# DRIVE OVER

## ACU OU 182012

One Way



Wattage	Beam Angle
---------	------------

1x2W	120°
------	------

Color Temperature	Lumen Output
-------------------	--------------

3000k	≈13Lm
-------	-------

Installation	Rated Life Hours
--------------	------------------

Recessed	30,000 - 50,000H
----------	------------------

CRI	Colors
-----	--------

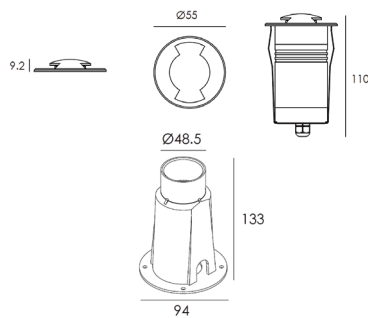
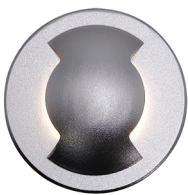
≥90	■ Chrome Finish
-----	-----------------

Input Voltage	Materials
---------------	-----------

220V AC (with the Attached Built in Driver)	Stainless Steel Cover with Powder, Coated Aluminum Housing.
--	---

## ACU OU 182013

Two Way



Wattage	Beam Angle
---------	------------

1x2W	100°
------	------

Color Temperature	Lumen Output
-------------------	--------------

3000k	≈10 Lm
-------	--------

Installation	Rated Life Hours
--------------	------------------

Recessed	30,000 - 50,000H
----------	------------------

CRI	Colors
-----	--------

≥90	■ Chrome Finish
-----	-----------------

Input Voltage	Materials
---------------	-----------

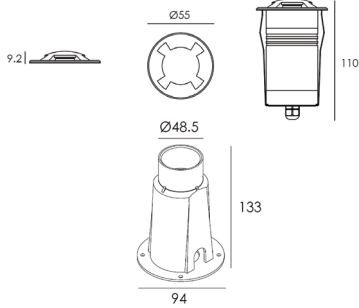
220V AC (with the Attached Built in Driver)	Stainless Steel Cover with Powder, Coated Aluminum Housing.
--	---



# DRIVE OVER

## ACU OU 182014

Four Way



<b>Wattage</b>	<b>Beam Angle</b>
1x2W	54°
<b>Color Temperature</b>	<b>Lumen Output</b>
3000k	≈8.5Lm
<b>Installation</b>	<b>Rated Life Hours</b>
Recessed	30,000 - 50,000H
<b>CRI</b>	<b>Colors</b>
≥90	■ Chrome Finish
<b>Input Voltage</b>	<b>Materials</b>
220V AC (with the Attached Built in Driver)	Stainless Steel Cover with Powder, Coated Aluminum Housing.

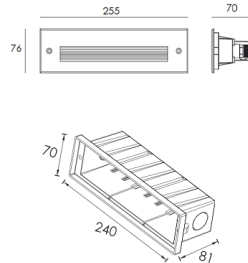
# WALL & STAIR LIGHT



Wall and Stair light outdoor series create a welcoming atmosphere by highlighting features of a building or structure. A variety of shapes and styles contribute to the overall architectural design of the building

# Wall & Stair

## ACU OSR 182036



Wattage	Beam Angle
---------	------------

5.7W	N/A
------	-----

Color Temperature	Lumen Output
-------------------	--------------

3000k	≈104 Lm
-------	---------

Installation	Rated Life Hours
--------------	------------------

Recessed	30,000 - 50,000H
----------	------------------

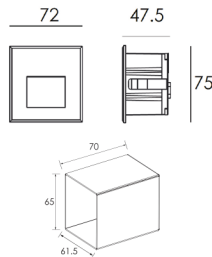
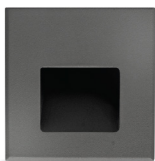
CRI	Colors
-----	--------

≥90	■ Grey
-----	--------

Input Voltage	Materials
---------------	-----------

220V AC (with the Attached Built in Driver)	Die Casting Powder Coated Aluminum.
--	-------------------------------------

## ACU OSR 182037



Wattage	Beam Angle
---------	------------

3x0.7W	120°
--------	------

Color Temperature	Lumen Output
-------------------	--------------

3000k	≈36 Lm
-------	--------

Installation	Rated Life Hours
--------------	------------------

Recessed Inground	30,000 - 50,000H
-------------------	------------------

CRI	Colors
-----	--------

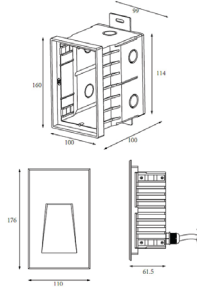
≥90	■ Black □ White ■ Grey
-----	---------------------------

Input Voltage	Materials
---------------	-----------

220V AC (with the Attached Built in Driver)	Die Casting Powder Coated Aluminum.
--	-------------------------------------

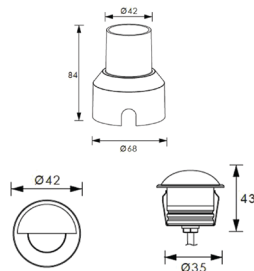
# Wall & Stair

## ACU OSR 182038



<b>Wattage</b>	18x0.2W	<b>Beam Angle</b>	120°
<b>Color Temperature</b>	3000k	<b>Lumen Output</b>	≈85 Lm
<b>Installation</b>	Recessed	<b>Rated Life Hours</b>	30,000 - 50,000H
<b>CRI</b>	≥90	<b>Colors</b>	■ Black ■ Grey
<b>Input Voltage</b>	220V AC (with the Attached Built in Driver)	<b>Materials</b>	Die Casting Powder Coated Aluminum.

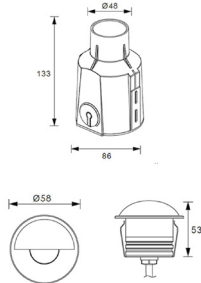
## ACU OSR 182039



<b>Wattage</b>	1x1W	<b>Beam Angle</b>	32°
<b>Color Temperature</b>	3000k	<b>Lumen Output</b>	≈23 Lm
<b>Installation</b>	Recessed Inground	<b>Rated Life Hours</b>	30,000 - 50,000H
<b>CRI</b>	≥90	<b>Colors</b>	■ Grey
<b>Input Voltage</b>	24V DC	<b>Materials</b>	Die Casting Powder Coated Aluminum.

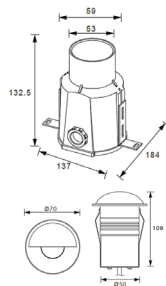
## Wall & Stair

### ACU OSR 182040



<b>Wattage</b>	<b>Beam Angle</b>
1x2W	22°
<b>Color Temperature</b>	<b>Lumen Output</b>
3000k	≈51 Lm
<b>Installation</b>	<b>Rated Life Hours</b>
Recessed	30,000 - 50,000H
<b>CRI</b>	<b>Colors</b>
≥90	■ Grey
<b>Input Voltage</b>	<b>Materials</b>
24V DC	Die Casting Powder Coated Aluminum.

### ACU OSR 182041

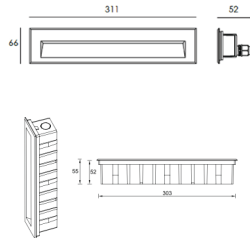


<b>Wattage</b>	<b>Beam Angle</b>
1x5W	18° 24° 32°
<b>Color Temperature</b>	<b>Lumen Output</b>
3000k	≈208 Lm
<b>Installation</b>	<b>Rated Life Hours</b>
Recessed	30,000 - 50,000H
<b>CRI</b>	<b>Colors</b>
≥90	■ Grey
<b>Input Voltage</b>	<b>Materials</b>
24V DC	Die Casting Powder Coated Aluminum.



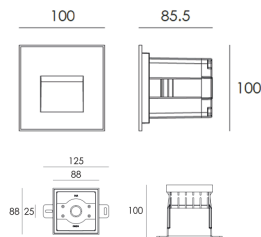
# Wall & Stair

## ACU OSR 216001



<b>Wattage</b>	<b>Beam Angle</b>
30x0.3W	N/A
<b>Color Temperature</b>	<b>Lumen Output</b>
3000k	≈400 Lm
<b>Installation</b>	<b>Rated Life Hours</b>
Wall Mounted	30,000 - 50,000H
<b>CRI</b>	<b>Colors</b>
≥90	■ Grey
<b>Input Voltage</b>	<b>Materials</b>
220V AC (with the Attached Built in Driver)	Die-casting Aluminum

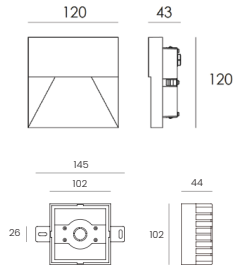
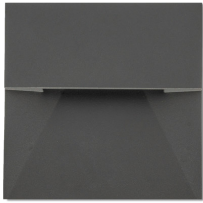
## ACU OSR 216002



<b>Wattage</b>	<b>Beam Angle</b>
10x0.5W	N/A
<b>Color Temperature</b>	<b>Lumen Output</b>
3000k	≈112 Lm
<b>Installation</b>	<b>Rated Life Hours</b>
Wall Mounted	30,000 - 50,000H
<b>CRI</b>	<b>Colors</b>
≥90	■ Grey
<b>Input Voltage</b>	<b>Materials</b>
220V AC (with the Attached Built in Driver)	Die-casting Aluminum

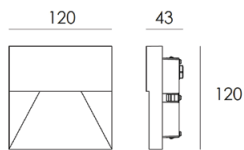
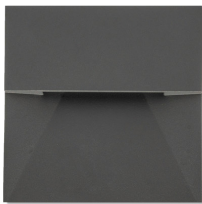
# Wall & Stair

## ACU OSR 216003R



<b>Wattage</b>	<b>Beam Angle</b>
9x0.5W	N/A
<b>Color Temperature</b>	<b>Lumen Output</b>
3000k	≈158 Lm
<b>Installation</b>	<b>Rated Life Hours</b>
Wall Mounted	30,000 - 50,000H
<b>CRI</b>	<b>Colors</b>
≥90	■ Grey
<b>Input Voltage</b>	<b>Materials</b>
220V AC (with the Attached Built in Driver)	Die-casting Aluminum

## ACU OSM 216003S

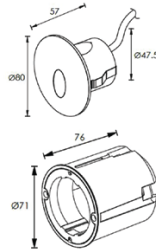


<b>Wattage</b>	<b>Beam Angle</b>
9x0.5W	N/A
<b>Color Temperature</b>	<b>Lumen Output</b>
3000k	≈158 Lm
<b>Installation</b>	<b>Rated Life Hours</b>
Wall Mounted	30,000 - 50,000H
<b>CRI</b>	<b>Colors</b>
≥90	■ Grey
<b>Input Voltage</b>	<b>Materials</b>
220V AC (with the Attached Built in Driver)	Die-casting Aluminum



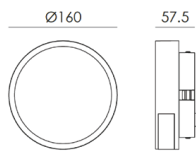
## Wall & Stair

### ACU OSR 216004



<b>Wattage</b>	<b>Beam Angle</b>
1W	80°
<b>Color Temperature</b>	<b>Lumen Output</b>
3000k	≈46 Lm
<b>Installation</b>	<b>Rated Life Hours</b>
Wall Mounted	30,000 - 50,000H
<b>CRI</b>	<b>Colors</b>
≥90	■ Grey
<b>Input Voltage</b>	<b>Materials</b>
220V AC (with the Attached Built in Driver)	Stainless Steel Cover with Matt Cover

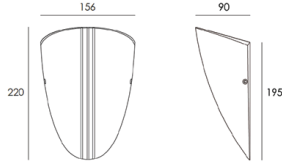
### ACU OSR 216005



<b>Wattage</b>	<b>Beam Angle</b>
12x0.5W	N/A
<b>Color Temperature</b>	<b>Lumen Output</b>
3000k	≈127Lm
<b>Installation</b>	<b>Rated Life Hours</b>
Wall Mounted	30,000 - 50,000H
<b>CRI</b>	<b>Colors</b>
≥90	■ Grey
<b>Input Voltage</b>	<b>Materials</b>
220V AC (with the Attached Built in Driver)	Die-casting Aluminum

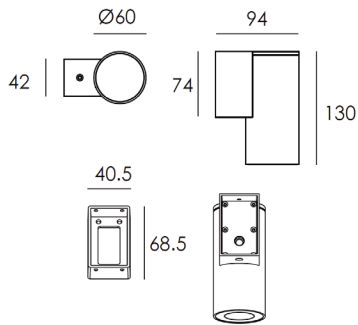
## Wall & Stair

### ACU OW 182042



<b>Wattage</b>	<b>Beam Angle</b>
1x6W	10°
1x12W	25°
<b>Color Temperature</b>	<b>Lumen Output</b>
3000k	≈44 Lm
<b>Installation</b>	<b>Rated Life Hours</b>
Wall Mounted	30,000 - 50,000H
<b>CRI</b>	<b>Colors</b>
≥90	■ Black ■ Grey
<b>Input Voltage</b>	<b>Materials</b>
220V AC (with the Attached Built in Driver)	Stainless Steel Cover with Matt Cover

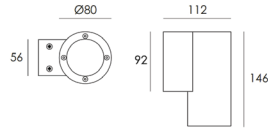
### ACU OW 182043



<b>Wattage</b>	<b>Beam Angle</b>
1x4.5W	15° 24° 38°
<b>Color Temperature</b>	<b>Lumen Output</b>
3000k	≈282Lm
<b>Installation</b>	<b>Rated Life Hours</b>
Wall Mounted	30,000 - 50,000H
<b>CRI</b>	<b>Colors</b>
≥90	■ Grey
<b>Input Voltage</b>	<b>Materials</b>
220V AC (with the Attached Built in Driver)	Die Casting Powder Coated Aluminum

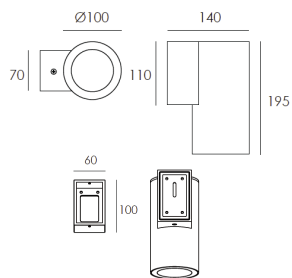
# Wall & Stair

## ACU OW 182044



<b>Wattage</b>	<b>Beam Angle</b>
1x10W	15° 24° 38° 60°
<b>Color Temperature</b>	<b>Lumen Output</b>
3000k	≈1170 Lm
<b>Installation</b>	<b>Rated Life Hours</b>
Wall Mounted	30,000 - 50,000H
<b>CRI</b>	<b>Colors</b>
≥90	■ Grey
<b>Input Voltage</b>	<b>Materials</b>
220V AC (with the Attached Built in Driver)	Die Casting Powder Coated Aluminum

## ACU OW 182045

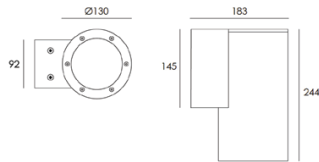


<b>Wattage</b>	<b>Beam Angle</b>
1x18W	12° 22° 38° 55°
<b>Color Temperature</b>	<b>Lumen Output</b>
3000k	≈1847Lm
<b>Installation</b>	<b>Rated Life Hours</b>
Wall Mounted	30,000 - 50,000H
<b>CRI</b>	<b>Colors</b>
≥90	■ Grey
<b>Input Voltage</b>	<b>Materials</b>
220V AC (with the Attached Built in Driver)	Die Casting Powder Coated Aluminum



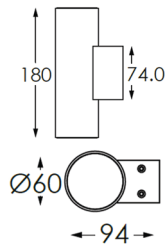
## Wall & Stair

### ACU OW 182046



<b>Wattage</b>	<b>Beam Angle</b>
1x25W	10° 22° 38°
<b>Color Temperature</b>	<b>Lumen Output</b>
3000k	≈2967 Lm
<b>Installation</b>	<b>Rated Life Hours</b>
Wall Mounted	30,000 - 50,000H
<b>CRI</b>	<b>Colors</b>
≥90	■ Grey
<b>Input Voltage</b>	<b>Materials</b>
220V AC (with the Attached Built in Driver)	Die Casting Powder Coated Aluminum

### ACU OW 182047

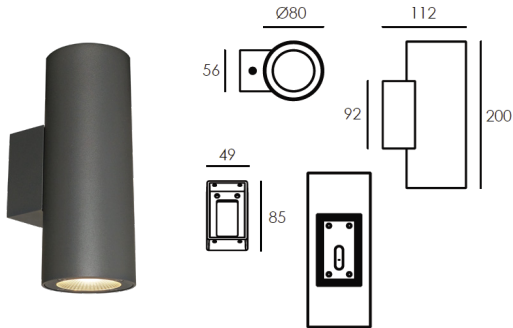


<b>Wattage</b>	<b>Beam Angle</b>
2x4.5W	15° 24° 38°
<b>Color Temperature</b>	<b>Lumen Output</b>
3000k	254x2Lm
<b>Installation</b>	<b>Rated Life Hours</b>
Wall Mounted	30,000 - 50,000H
<b>CRI</b>	<b>Colors</b>
≥90	■ Black ■ Grey
<b>Input Voltage</b>	<b>Materials</b>
220V AC (with the Attached Built in Driver)	Die Casting Powder Coated Aluminum



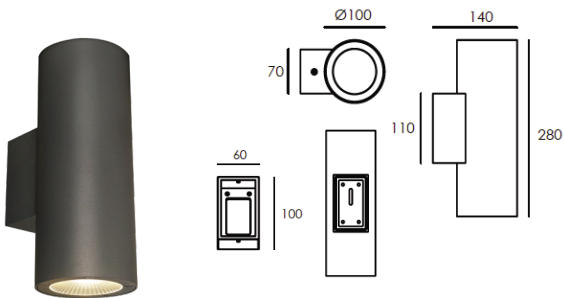
## Wall & Stair

### ACU OW 182048



<b>Wattage</b>	<b>Beam Angle</b>
2X8W	15° 24° 38° 60°
<b>Color Temperature</b>	<b>Lumen Output</b>
3000k	≈1972 Lm
<b>Installation</b>	<b>Rated Life Hours</b>
Wall Mounted	30,000 - 50,000H
<b>CRI</b>	<b>Colors</b>
≥90	■ Grey
<b>Input Voltage</b>	<b>Materials</b>
220V AC (with the Attached Built in Driver)	Die Casting Powder Coated Aluminum

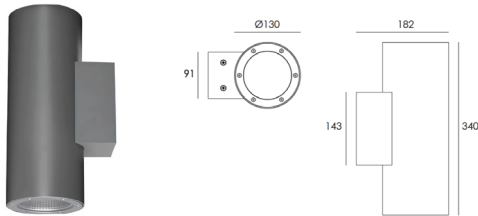
### ACU OW 182049



<b>Wattage</b>	<b>Beam Angle</b>
2X12W	12° 22° 38° 55°
<b>Color Temperature</b>	<b>Lumen Output</b>
3000k	≈2158Lm
<b>Installation</b>	<b>Rated Life Hours</b>
Wall Mounted	30,000 - 50,000H
<b>CRI</b>	<b>Colors</b>
≥90	■ Grey
<b>Input Voltage</b>	<b>Materials</b>
220V AC (with the Attached Built in Driver)	Die Casting Powder Coated Aluminum

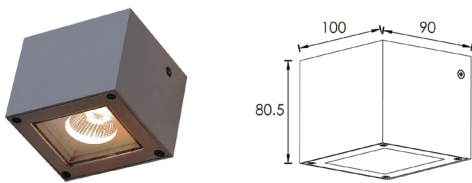
# Wall & Stair

## ACU OW 182050



<b>Wattage</b>	<b>Beam Angle</b>
2x18W	10° 22° 38°
<b>Color Temperature</b>	<b>Lumen Output</b>
3000k	≈4072 Lm
<b>Installation</b>	<b>Rated Life Hours</b>
Wall Mounted	30,000 - 50,000H
<b>CRI</b>	<b>Colors</b>
≥90	■ Grey
<b>Input Voltage</b>	<b>Materials</b>
220V AC (with the Attached Built in Driver)	Die Casting Powder Coated Aluminum

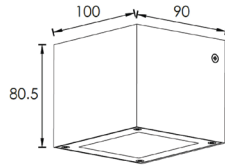
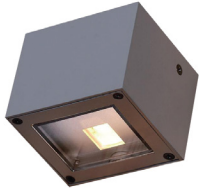
## ACU OW 182051



<b>Wattage</b>	<b>Beam Angle</b>
1x6W	18° 25° 40°
<b>Color Temperature</b>	<b>Lumen Output</b>
3000k	≈651 Lm
<b>Installation</b>	<b>Rated Life Hours</b>
Wall Mounted	30,000 - 50,000H
<b>CRI</b>	<b>Colors</b>
≥90	■ Black □ White ■ Grey
<b>Input Voltage</b>	<b>Materials</b>
220V AC (with the Attached Built in Driver)	Die Casting Powder Coated Aluminum.

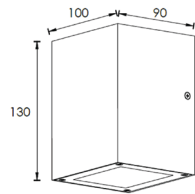
## Wall & Stair

### ACU OW 182051N



<b>Wattage</b>	<b>Beam Angle</b>
1x3W	10°
<b>Color Temperature</b>	<b>Lumen Output</b>
3000k	≈68 Lm
<b>Installation</b>	<b>Rated Life Hours</b>
Wall Mounted	30,000 - 50,000H
<b>CRI</b>	<b>Colors</b>
≥90	■ Black ■ Grey
<b>Input Voltage</b>	<b>Materials</b>
220V AC (with the Attached Built in Driver)	Die Casting Powder Coated Aluminum

### ACU OW 182052

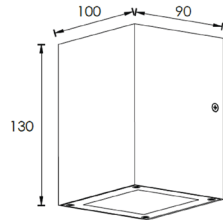


<b>Wattage</b>	<b>Beam Angle</b>
2x6W	18° 25° 40°
<b>Color Temperature</b>	<b>Lumen Output</b>
3000k	≈13021 Lm
<b>Installation</b>	<b>Rated Life Hours</b>
Wall Mounted	30,000 - 50,000H
<b>CRI</b>	<b>Colors</b>
≥90	■ Grey
<b>Input Voltage</b>	<b>Materials</b>
220V AC (with the Attached Built in Driver)	Die Casting Powder Coated Aluminum

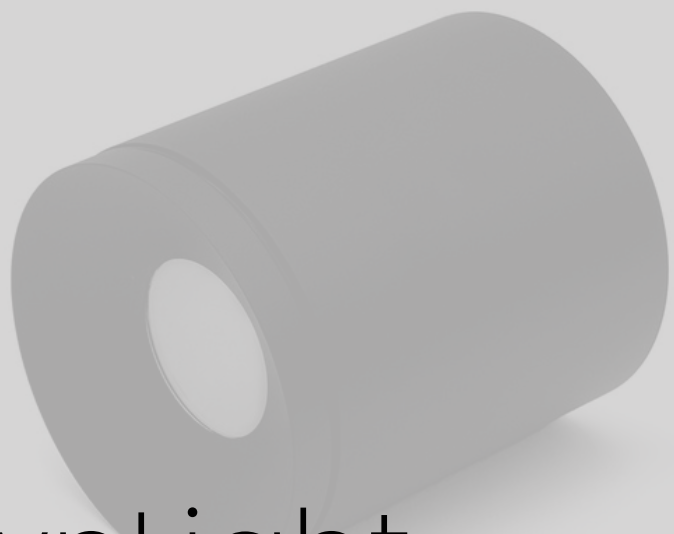
## Wall & Stair

---

### ACU OW 182052N



Wattage	Beam Angle
2x3W	10°
Color Temperature	Lumen Output
3000k	≈69 Lm
Installation	Rated Life Hours
Wall Mounted	30,000 - 50,000H
CRI	Colors
≥90	■ Black □ White ■ Grey
Input Voltage	Materials
220V AC (with the Attached Built in Driver)	Die Casting Powder Coated Aluminum.



# Outdoor DownLight

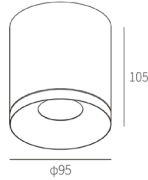
Outdoor ultra-thin downlight designed to be handy, simple, weather proof and easy to install.

The anti-glare system provides visual comfort for the user.

# Ceiling

Surface Mounted

## ACU OSM 208101

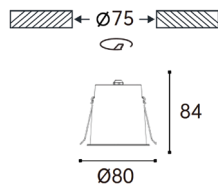


<b>Wattage</b>	<b>Beam Angle</b>
15W	15° 24° 36° 60°
<b>Color Temperature</b>	<b>Lumen Output</b>
3000k	≈1271 Lm
<b>Installation</b>	<b>Rated Life Hours</b>
Surface Mounted	30,000 - 50,000H
<b>CRI</b>	<b>Colors</b>
≥90	■ Black □ White
<b>Input Voltage</b>	<b>Material</b>
220V AC (with the Attached Built in Driver)	Podwer Coated Aluminum

# SELEX

Recessed

## ACU OD 255001

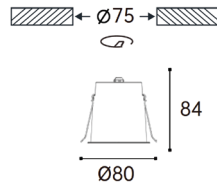


<b>Wattage</b>	<b>Beam Angle</b>
7W	15° 24° 36° 50°
<b>Color Temperature</b>	<b>Lumen Output</b>
3000k	≈700 Lm
<b>Installation</b>	<b>Rated Life Hours</b>
Recessed	30,000 - 50,000H
<b>CRI</b>	<b>Colors</b>
≥90	■ Black □ White
<b>Input Voltage</b>	<b>Material</b>
220V AC (with the Attached Built in Driver)	Podwer Coated Aluminum

# SELEX

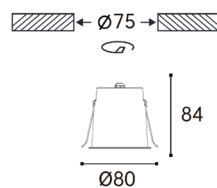
Recessed

## ACU OD 255002



<b>Wattage</b>	<b>Beam Angle</b>
10W	15° 24° 36° 50°
<b>Color Temperature</b>	<b>Lumen Output</b>
3000k	≈1000 Lm
<b>Installation</b>	<b>Rated Life Hours</b>
Recessed	30,000 - 50,000H
<b>CRI</b>	<b>Colors</b>
≥90	■ Black □ White
<b>Input Voltage</b>	<b>Material</b>
220V AC (with the Attached Built in Driver)	Podwer Coated Aluminum

## ACU OD 255003



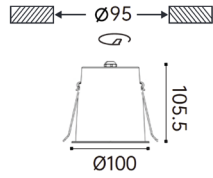
<b>Wattage</b>	<b>Beam Angle</b>
15W	15° 24° 36° 50°
<b>Color Temperature</b>	<b>Lumen Output</b>
3000k	≈1500 Lm
<b>Installation</b>	<b>Rated Life Hours</b>
Recessed	30,000 - 50,000H
<b>CRI</b>	<b>Colors</b>
≥90	■ Black □ White
<b>Input Voltage</b>	<b>Material</b>
220V AC (with the Attached Built in Driver)	Podwer Coated Aluminum



# SELEX

Recessed

## ACU OD 255004



<b>Wattage</b>	<b>Beam Angle</b>
20W	15° 24° 36° 50°
<b>Color Temperature</b>	<b>Lumen Output</b>
3000k	≈1000 Lm
<b>Installation</b>	<b>Rated Life Hours</b>
Recessed	30,000 - 50,000H
<b>CRI</b>	<b>Colors</b>
≥90	■ Black □ White
<b>Input Voltage</b>	<b>Material</b>
220V AC (with the Attached Built in Driver)	Podwer Coated Aluminum

# NEON FLEX

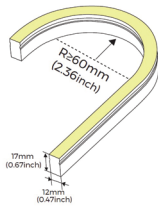
Outdoor strip lighting offers a sleek, modern solution for indirect illumination. It is easy to install, energy-efficient, and designed to enhance any exterior space with subtle, continuous lighting.



# Neon Flex

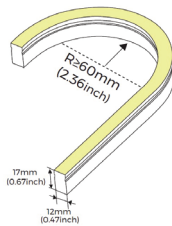
Side Bend

## ACU ST 202201



<b>Wattage</b>	10.6 W/m	<b>Beam angle</b>	N/A
<b>Color Temperature</b>	2700K 3000k 4000k	<b>Lumen Output</b>	410 Lm/m 450 Lm/m 420 Lm/m
<b>Installation</b>	Neon Flex Accessories Profile & Clips	<b>Rated life hours</b>	36000H
<b>CRI</b>	≥90	<b>Colors</b>	<input type="checkbox"/> White
<b>Input Voltage</b>	24V DC	<b>Material</b>	Neon Flex
<b>Dimension</b>	W 12mm x H 17mm	<b>Cutting Section</b>	50mm / 7 LEDs

## ACU ST 202202-RGB

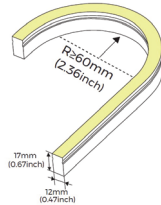


<b>Wattage</b>	13.2 W/m	<b>Beam angle</b>	N/A
<b>Color Temperature</b>	RGB	<b>Lumen Output</b>	N/A
<b>Installation</b>	Neon Flex Accessories Profile & Clips	<b>Rated life hours</b>	36000H
<b>CRI</b>	≥90	<b>Colors</b>	<input type="checkbox"/> White
<b>Input Voltage</b>	24V DC	<b>Material</b>	Neon Flex
<b>Dimension</b>	W 12mm x H 17mm	<b>Cutting Section</b>	83.3mm / 7 LEDs

# Neon Flex

Side Bend

## ACU ST 202203-RGBW



Wattage	Beam angle
---------	------------

16 W/m	N/A
--------	-----

Color Temperature
-------------------

RGB-2700k RGB-4000k
RGB-3500k RGB-5000k
RGB-3000k

Installation	Rated life hours
--------------	------------------

Neon Flex Accessories Profile & Clips	36000H
---------------------------------------	--------

CRI	Colors
-----	--------

≥90	<input type="checkbox"/> White
-----	--------------------------------

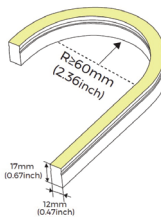
Input Voltage	Material
---------------	----------

24V DC	Neon Flex
--------	-----------

Dimension	Cutting Section
-----------	-----------------

W 12mm x H 17mm	62.5mm / 12 LEDs
-----------------	------------------

## ACU ST 202204-T24-4K



Wattage	Beam angle
---------	------------

13.2 W/m	N/A
----------	-----

Color Temperature	Lumen Output
-------------------	--------------

2400K-4000k Tunable	520 Lm/m
---------------------	----------

Installation	Rated life hours
--------------	------------------

Neon Flex Accessories Profile & Clips	36000H
---------------------------------------	--------

CRI	Colors
-----	--------

≥90	<input type="checkbox"/> White
-----	--------------------------------

Input Voltage	Material
---------------	----------

24V DC	Neon Flex
--------	-----------

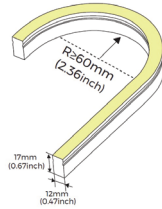
Dimension	Cutting Section
-----------	-----------------

W 12mm x H 17mm	100mm / 14 LEDs
-----------------	-----------------

# Neon Flex

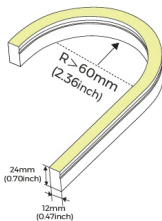
Side Bend

## ACU ST 202205



<b>Wattage</b>	5.8 W/m	<b>Beam angle</b>	N/A
<b>Color Temperature</b>	2700k 3000k 4000k	<b>Lumen Output</b>	220 Lm/m 220 Lm/m 240 Lm/m
<b>Installation</b>	Neon Flex Accessories Profile & Clips	<b>Rated life hours</b>	36000H
<b>CRI</b>	≥90	<b>Colors</b>	<input type="checkbox"/> White
<b>Input Voltage</b>	48V DC	<b>Material</b>	Neon Flex
<b>Dimension</b>	W 12mm x H 17mm	<b>Cutting Section</b>	100mm / 12 LEDs

## ACU ST 202701

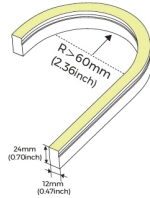


<b>Wattage</b>	10.6 W/m	<b>Beam angle</b>	N/A
<b>Color Temperature</b>	2700K 3000K 4000K 5000K	<b>Lumen Output</b>	420 Lm/m 440 Lm/m 430 Lm/m 430 Lm/m
<b>Installation</b>	Neon Flex Accessories Profile & Clips	<b>Rated life hours</b>	36000H
<b>CRI</b>	≥90	<b>Colors</b>	<input type="checkbox"/> White
<b>Input Voltage</b>	24V DC	<b>Material</b>	Neon Flex
<b>Dimension</b>	W 12mm x H 24mm	<b>Cutting Section</b>	50mm / 7 LEDs

## Neon Flex

Side Bend

### ACU ST 202702-RGB

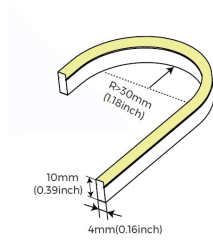


<b>Wattage</b>	13.2 W/m	<b>Beam angle</b>	N/A
<b>Color Temperature</b>	RGB	<b>Lumen Output</b>	N/A
<b>Installation</b>	Neon Flex Accessories Profile & Clips	<b>Rated life hours</b>	36000H
<b>CRI</b>	≥90	<b>Colors</b>	<input type="checkbox"/> White
<b>Input Voltage</b>	24V DC	<b>Material</b>	Neon Flex
<b>Dimension</b>	W 12mm x H 24mm	<b>Cutting Section</b>	83.3mm / 7 Leds

## Neon Flex

Side Bend, Ultra Slim

### ACU ST 202401

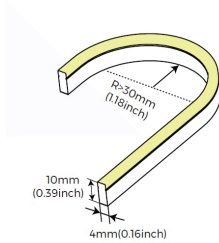


<b>Wattage</b>	7.9 W/m	<b>Beam angle</b>	N/A
<b>Color Temperature</b>	2300K 2700K 3000K 4000K	<b>Lumen Output</b>	240 Lm/m 240 Lm/m 270 Lm/m 270 Lm/m
<b>Installation</b>	Neon Flex Accessories Profile & Clips	<b>Rated life hours</b>	36000H
<b>CRI</b>	≥90	<b>Colors</b>	<input type="checkbox"/> White
<b>Input Voltage</b>	24V DC	<b>Material</b>	Neon Flex
<b>Dimension</b>	W 4mm x H 10mm	<b>Cutting Section</b>	41.66mm / 7 LEDs

# Neon Flex

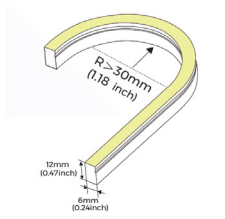
Side Bend, Ultra Slim

## ACU ST 202402-T23-4K



<b>Wattage</b>	7.9 W/m	<b>Beam angle</b>	N/A
<b>Color Temperature</b>	2300K-4000K	<b>Lumen Output</b>	220 Lm/m
<b>Installation</b>	Neon Flex Accessories Profile & Clips	<b>Rated life hours</b>	36000H
<b>CRI</b>	≥90	<b>Colors</b>	<input type="checkbox"/> White
<b>Input Voltage</b>	24V DC	<b>Material</b>	Neon Flex
<b>Dimention</b>	W 4mm x H 10mm	<b>Cutting Section</b>	31.25mm / 12 LEDs

## ACU ST 202501



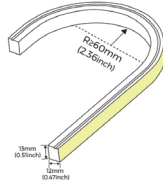
<b>Wattage</b>	10.6 W/m	<b>Beam angle</b>	N/A
<b>Color Temperature</b>	2300K 2700K 3000K 4000K	<b>Lumen Output</b>	250 Lm/m 280 Lm/m 280 Lm/m 280 Lm/m
<b>Installation</b>	Neon Flex Accessories Profile & Clips	<b>Rated life hours</b>	36000H
<b>CRI</b>	≥90	<b>Colors</b>	<input type="checkbox"/> White
<b>Input Voltage</b>	24V DC	<b>Material</b>	Neon Flex
<b>Dimention</b>	W 6mm x H 12mm	<b>Cutting Section</b>	50mm / 6 LEDs



# Neon Flex

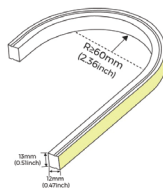
Top Bend

## ACU ST 202301



<b>Wattage</b>	10.6 W/m	<b>Beam angle</b>	N/A
<b>Color Temperature</b>	2700K 3000K 4000K	<b>Lumen Output</b>	710 Lm/m 740 Lm/m 690 Lm/m
<b>Installation</b>	Neon Flex Accessories Profile & Clips	<b>Rated life hours</b>	36000H
<b>CRI</b>	≥90	<b>Colors</b>	<input type="checkbox"/> White
<b>Input Voltage</b>	24V DC	<b>Material</b>	Neon Flex
<b>Dimension</b>	W 13mm x H 12mm	<b>Cutting Section</b>	50mm / 7 LEDs

## ACU ST 202302-RGB

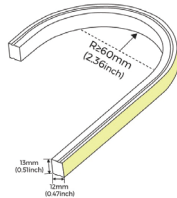


<b>Wattage</b>	13.2 W/m	<b>Beam angle</b>	N/A
<b>Color Temperature</b>	RGB	<b>Lumen Output</b>	N/A
<b>Installation</b>	Neon Flex Accessories Profile & Clips	<b>Rated life hours</b>	36000H
<b>CRI</b>	≥90	<b>Colors</b>	<input type="checkbox"/> White
<b>Input Voltage</b>	24V DC	<b>Material</b>	Neon Flex
<b>Dimension</b>	W 13mm x H 12mm	<b>Cutting Section</b>	83.3mm / 7 LEDs

# Neon Flex

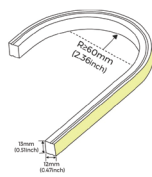
Top Bend

## ACU ST 202303-**RGBW**



<b>Wattage</b>	<b>Beam angle</b>
16 W/m	N/A
<b>Color Temperature</b>	
RGB-2700K    RGB-4000K	
RGB-3500K    RGB-5400K	
RGB-3000K	
<b>Installation</b>	<b>Rated life hours</b>
Neon Flex Accessories Profile & Clips	36000H
<b>CRI</b>	<b>Colors</b>
≥90	<input type="checkbox"/> White
<b>Input Voltage</b>	<b>Material</b>
24V DC	Neon Flex
<b>Dimension</b>	<b>Cutting Section</b>
W 13mm x H 12mm	62.5mm / 12 LEDs

## ACU ST 202304-**T27-5K**

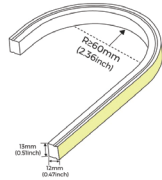


<b>Wattage</b>	<b>Beam angle</b>
13.2 W/m	N/A
<b>Color Temperature</b>	<b>Lumen Output</b>
Tunable 2700K-5000K	N/A
<b>Installation</b>	<b>Rated life hours</b>
Neon Flex Accessories Profile & Clips	36000H
<b>CRI</b>	<b>Colors</b>
≥90	<input type="checkbox"/> White
<b>Input Voltage</b>	<b>Material</b>
24V DC	Neon Flex
<b>Dimension</b>	<b>Cutting Section</b>
W 13mm x H 12mm	55.6mm / 14 LEDs

# Neon Flex

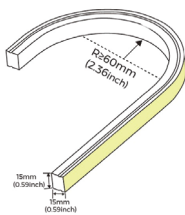
Top Bend

## ACU ST 202305



<b>Wattage</b>	5.8 W/m	<b>Beam angle</b>	N/A
<b>Color Temperature</b>	2700K 3000K 4000K	<b>Lumen Output</b>	370 Lm/m 360 Lm/m 380 Lm/m
<b>Installation</b>	Neon Flex Accessories Profile & Clips	<b>Rated life hours</b>	36000H
<b>CRI</b>	≥90	<b>Colors</b>	<input type="checkbox"/> White
<b>Input Voltage</b>	48V DC	<b>Material</b>	Neon Flex
<b>Dimention</b>	W 13mm x H 12mm	<b>Cutting Section</b>	100mm / 12 LEDs

## ACU ST 202601



<b>Wattage</b>	10.6 W/m	<b>Beam angle</b>	N/A
<b>Color Temperature</b>	2200K 2700K 3000K 4000K	<b>Lumen Output</b>	500 Lm/m 590 Lm/m 600 Lm/m 570 Lm/m
<b>Installation</b>	Neon Flex Accessories Profile & Clips	<b>Rated life hours</b>	36000H
<b>CRI</b>	≥90	<b>Colors</b>	<input type="checkbox"/> White
<b>Input Voltage</b>	24V DC	<b>Material</b>	Neon Flex
<b>Dimention</b>	W 15mm x H 15mm	<b>Cutting Section</b>	50mm / 7 LEDs



# PROJECTOR

Durable outdoor spotlight for gardens, trees and plants. Features an adjustable head, weatherproof IP65 design. Easy ground spike and surface mounted installation.



# Projector

Landscape Projector

## ACU OP 252501S



Wattage	Beam angle
---------	------------

2.6 W	20° 30°
-------	---------

Color Temperature	Lumen Output
-------------------	--------------

3000k	92 Lm
-------	-------

Installation	Rated life hours
--------------	------------------

Surface Mounted	30000-50000H
-----------------	--------------

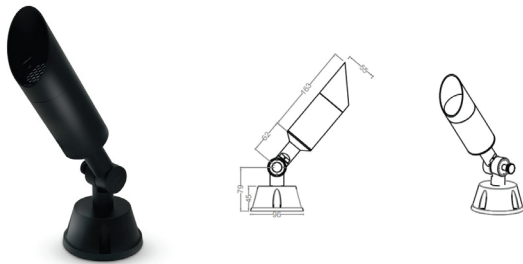
CRI	Colors
-----	--------

≥90	■ Black
-----	---------

Input Voltage	Material
---------------	----------

24V DC	Die-Casting aluminium
--------	-----------------------

## ACU OP 211003M



Wattage	Beam angle
---------	------------

6 W	15° 40°
-----	---------

Color Temperature	Lumen Output
-------------------	--------------

3000k	540 Lm
-------	--------

Installation	Rated life hours
--------------	------------------

Surface Mounted	30000-50000H
-----------------	--------------

CRI	Colors
-----	--------

≥80	■ Black
-----	---------

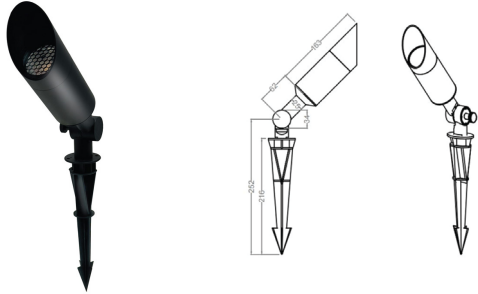
Input Voltage	Material
---------------	----------

220V AC	Die-Casting aluminium
---------	-----------------------

# Projector

Landscape Projector

## ACU OP 211003S



Wattage	Beam angle
---------	------------

6 W	15° 40°
-----	---------

Color Temperature	Lumen Output
-------------------	--------------

3000k	540 Lm
-------	--------

Installation	Rated life hours
--------------	------------------

Surface Mounted	30000-50000H
-----------------	--------------

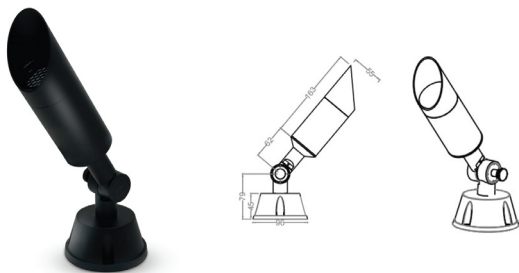
CRI	Colors
-----	--------

≥80	■ Black
-----	---------

Input Voltage	Material
---------------	----------

220V AC	Die-Casting aluminium
---------	-----------------------

## ACU OP 211101M



Wattage	Beam angle
---------	------------

12 W	15° 40°
------	---------

Color Temperature	Lumen Output
-------------------	--------------

3000k	1080 Lm
-------	---------

Installation	Rated life hours
--------------	------------------

Surface Mounted	30000-50000H
-----------------	--------------

CRI	Colors
-----	--------

≥80	■ Black
-----	---------

Input Voltage	Material
---------------	----------

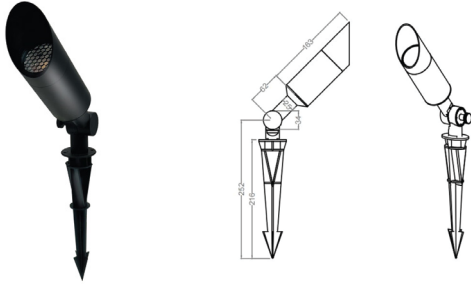
220V AC	Die-Casting aluminium
---------	-----------------------



# Projector

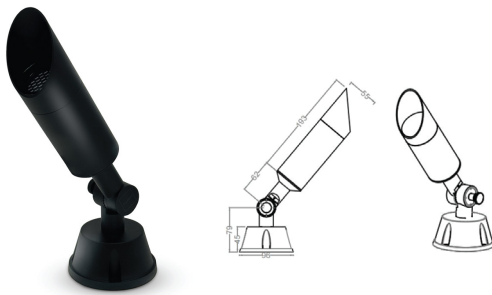
Landscape Projector

## ACU OP 211101S



<b>Wattage</b>	<b>Beam angle</b>
12 W	15° 40°
<b>Color Temperature</b>	<b>Lumen Output</b>
3000k	1080 Lm
<b>Installation</b>	<b>Rated life hours</b>
Planted	30000-50000H
<b>CRI</b>	<b>Colors</b>
≥80	■ Black
<b>Input Voltage</b>	<b>Material</b>
220V AC	Die-Casting aluminium

## ACU OP 211102M

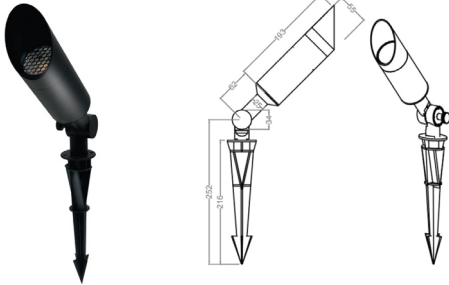


<b>Wattage</b>	<b>Beam angle</b>
16 W	15° 40°
<b>Color Temperature</b>	<b>Lumen Output</b>
3000k	1440 Lm
<b>Installation</b>	<b>Rated life hours</b>
Surface Mounted	30000-50000H
<b>CRI</b>	<b>Colors</b>
≥80	■ Black
<b>Input Voltage</b>	<b>Material</b>
220V AC	Die-Casting aluminium

# Projector

Landscape Projector

## ACU OP 211102S



### Wattage

16 W

### Beam angle

15° 40°

### Color Temperature

3000k

### Lumen Output

1440 Lm

### Installation

Planted

### Rated life hours

30000-50000H

### CRI

≥80

### Colors

■ Black

### Input Voltage

220V AC

### Material

Die-Casting  
aluminium

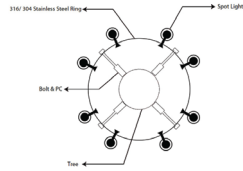


# Projector

---

Tree Ring

## ACU OP 211000R



Tree Ring, Used with Tree light projectors

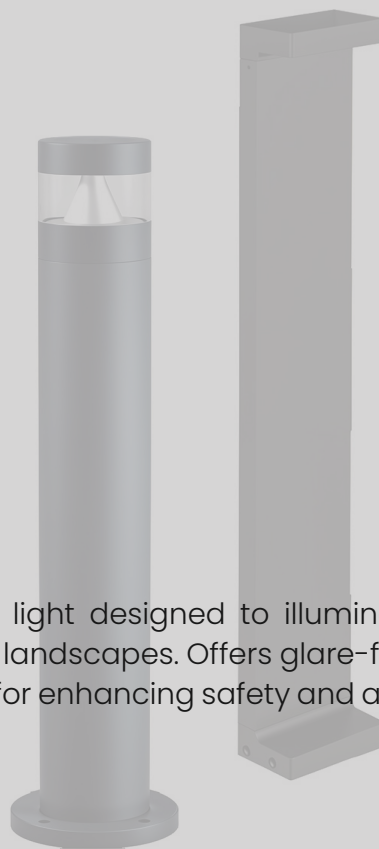
Diameter

600mm



# BOLLARD

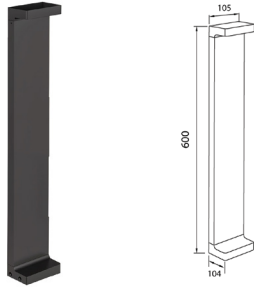
Modern and functional outdoor bollard light designed to illuminate pathways, gardens, driveways, and open landscapes. Offers glare-free lighting with robust construction, perfect for enhancing safety and ambience in any exterior setting.



# Bollard

Landscape Light

## ACU OB 182071



<b>Wattage</b>	<b>Beam angle</b>
5 W	Asymmetric
<b>Color Temperature</b>	<b>Rated life hours</b>
3000k	30000-50000H
<b>Installation</b>	<b>Material</b>
Floor Mounted	Aluminum + PC
<b>CRI</b>	<b>Colors</b>
≥80	■ Black
<b>Dimension</b>	<b>Input Voltage</b>
L 105.5 x W 104.5 x H 600 mm	220V AC

## ACU OB 182072



<b>Wattage</b>	<b>Beam angle</b>
7 W	120°
<b>Color Temperature</b>	<b>Rated life hours</b>
3000k	30000-50000H
<b>Installation</b>	<b>Material</b>
Floor Mounted	Aluminum + PC
<b>CRI</b>	<b>Colors</b>
≥80	■ Black
<b>Dimension</b>	<b>Input Voltage</b>
Ø110 mm, L 775 mm	220V AC

# Bollard

Landscape Light

## ACU OB 182073-1



### Wattage

7 W

### Beam angle

Asymmetric

### Color Temperature

3000k

### Rated life hours

30000-50000H

### Installation

Floor Mounted

### Material

Aluminum + PC

### CRI

≥80

### Colors

■ Black

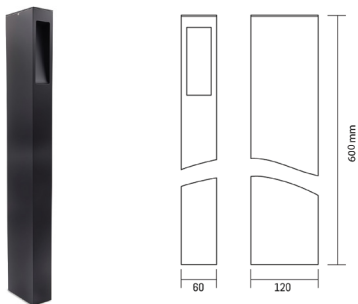
### Dimension

L 60 x W 120 x H 400 mm

### Input Voltage

220V AC

## ACU OB 182073-2



### Wattage

7 W

### Beam angle

Asymmetric

### Color Temperature

3000k

### Rated life hours

30000-50000H

### Installation

Floor Mounted

### Material

Aluminum + PC

### CRI

≥80

### Colors

■ Black

### Dimension

L 60 x W 120 x H 600 mm

### Input Voltage

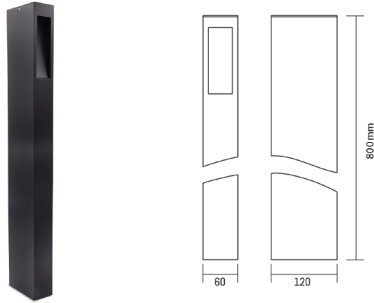
220V AC



# Bollard

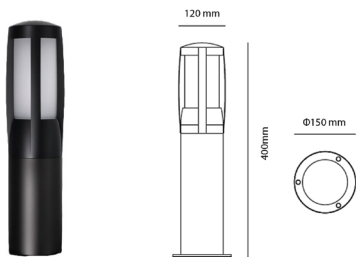
Landscape Light

## ACU OB 182073-3



<b>Wattage</b>	<b>Beam angle</b>
7 W	Asymmetric
<b>Color Temperature</b>	<b>Rated life hours</b>
3000k	30000-50000H
<b>Installation</b>	<b>Material</b>
Floor Mounted	Aluminum + PC
<b>CRI</b>	<b>Colors</b>
≥80	■ Black
<b>Dimension</b>	<b>Input Voltage</b>
L 60 x W 120 x H 800 mm	220V AC

## ACU OB 182075-1

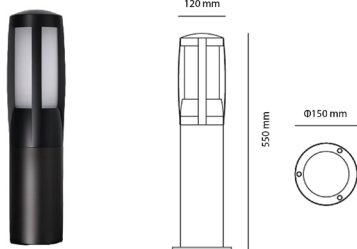


<b>Wattage</b>	<b>Beam angle</b>
8.4 W	N/A
<b>Color Temperature</b>	<b>Rated life hours</b>
3000k	30000-50000H
<b>Installation</b>	<b>Material</b>
Floor Mounted	Aluminum sheel & Glass
<b>CRI</b>	<b>Colors</b>
≥80	■ Black
<b>Dimension</b>	<b>Input Voltage</b>
Φ120 x H 400mm , Base Φ150 mm	220V AC

# Bollard

Landscape Light

## ACU OB 182075-2



### Wattage

16.8 W

### Beam angle

N/A

### Color Temperature

3000k

### Rated life hours

30000-50000H

### Installation

Floor Mounted

### Material

Aluminum sheel & Glass

### CRI

≥80

### Colors

■ Black

### Dimention

Φ120 x H 550mm , Base Φ150 mm

### Input Voltage

220V AC



