



DRIVE OVER

Outdoor Lighting

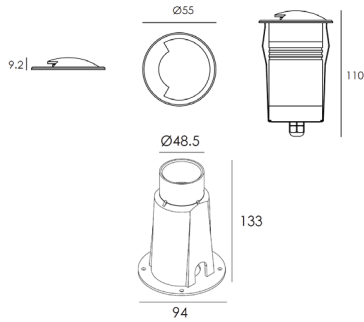


DRIVE OVER Designed for outdoor pathways, this guide light combines sleek functionality with an IK10 rating, ensuring reliable performance in high traffic environments.

DRIVE OVER

ACU OU 182012

One Way



Wattage	Beam Angle
---------	------------

1x2W	120°
------	------

Color Temperature	Lumen Output
-------------------	--------------

3000k	≈13Lm
-------	-------

Installation	Rated Life Hours
--------------	------------------

Recessed	30,000 - 50,000H
----------	------------------

CRI	Colors
-----	--------

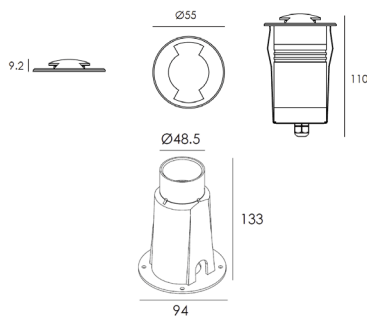
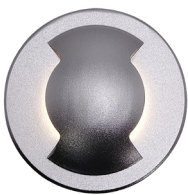
≥90	■ Chrome Finish
-----	-----------------

Input Voltage	Materials
---------------	-----------

220V AC (with the Attached Built in Driver)	Stainless Steel Cover with Powder, Coated Aluminum Housing.
--	---

ACU OU 182013

Two Way



Wattage	Beam Angle
---------	------------

1x2W	100°
------	------

Color Temperature	Lumen Output
-------------------	--------------

3000k	≈10 Lm
-------	--------

Installation	Rated Life Hours
--------------	------------------

Recessed	30,000 - 50,000H
----------	------------------

CRI	Colors
-----	--------

≥90	■ Chrome Finish
-----	-----------------

Input Voltage	Materials
---------------	-----------

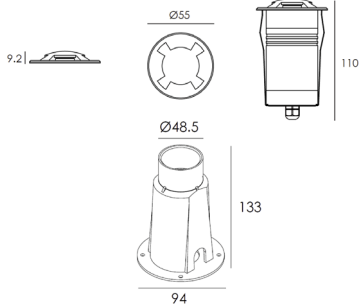
220V AC (with the Attached Built in Driver)	Stainless Steel Cover with Powder, Coated Aluminum Housing.
--	---



DRIVE OVER

ACU OU 182014

Four Way



Wattage	Beam Angle
---------	------------

1x2W	45°
------	-----

Color Temperature	Lumen Output
-------------------	--------------

3000k	≈8.5Lm
-------	--------

Installation	Rated Life Hours
--------------	------------------

Inground Recessed	30,000 - 50,000H
-------------------	------------------

CRI	Colors
-----	--------

≥90	■ Chrome Finish
-----	-----------------

Input Voltage	Materials
---------------	-----------

220V AC (with the Attached Built in Driver)	Stainless Steel Cover with Powder, Coated Aluminum Housing.
--	---

